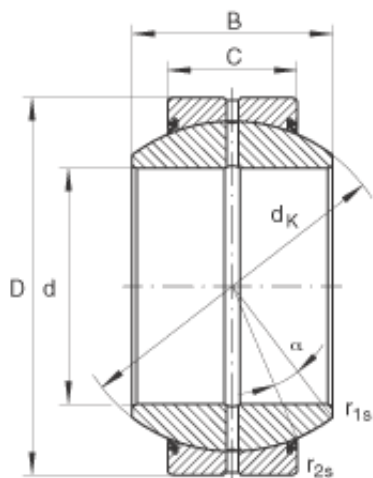




L S Starrett BEARING COMPANY



INA GE100-FO-2RS Spherical Plain Bearings

Bearing No. GE100-FO-2RS

Size	100x160x85 mm
Bore Diameter	100 mm
Outer Diameter	160 mm
Width	85 mm
C	55 mm
$D_{a \min}$	134 mm
$d_{a \max}$	111,2 mm
d_K	140 mm
$r_{1s \min}$	1 mm
$r_{2s \min}$	1 mm
alf (°)	14
Weight (kg)	5,9
C_r (N)	655000
C_{Or} (N)	3280000
Category	Spherical Plain Bearings - Radial
Inventory	0.0
Manufacturer Name	SCHAEFFLER GROUP
Minimum Buy Quantity	N/A
Weight / Kilogram	7.143
EAN	4012802128673
Product Group	B04264
Self Aligning	Yes
Rolling Element	Spherical Plain
Material - Outer Member	Steel
Material - Ball	Steel

GE100-FO-2RS Bearing 2D drawings and 3D CAD models



L S Starrett BEARING COMPANY

Material - Liner	Not Applicable
Relubricatable	Yes
Enclosure	2 Seals
Other Features	2 Piece Single Axial Split in Outer Ring Wide Inner Ring with Increased Tilting Angle
Long Description	100MM Bore; 55MM Housing Width; 160MM Outside Diameter; Spherical Plain; Steel Outer Member; Steel Ball; No Liner; 85MM Overall Width; Relubricatable
Inch - Metric	Metric
Category	Plain Bearings Spherical Radial
UNSPSC	31171515
Harmonized Tariff Code	8483.30.80.70
Noun	Bearing
Keyword 3	Spherical
Keyword String	Plain Spherical Radial
Manufacturer URL	http://www.ina.com
Manufacturer Item Number	GE100FO2RS
Weight / LBS	13.01
Outside Diameter	6.299 Inch 160 Millimeter
Housing Width	2.165 Inch 55 Millimeter
Bore	3.937 Inch 100 Millimeter
Overall Width	3.346 Inch 85 Millimeter