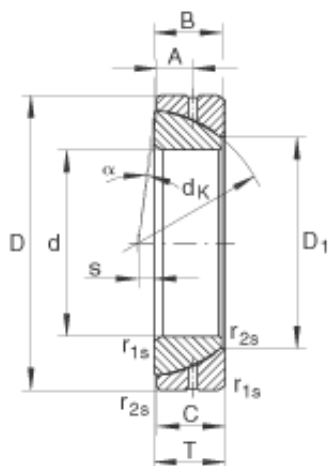




L S Starrett BEARING COMPANY



INA GE40-SX Spherical Plain Bearings

Bearing No. GE40-SX

Size	40x68x18 mm
Bore Diameter	40 mm
Outer Diameter	68 mm
Width	18 mm
T	19 mm
A	9,5 mm
C	18 mm
D ₁	46,8 mm
D _{a min}	52 mm
d _{a max}	45,5 mm
d _{b max}	54 mm
d _k	60 mm
D _{b min}	61 mm
r _{1s min}	1 mm
r _{2s min}	0,3 mm
s	1,5 mm
alf (°)	1,9
Weight (kg)	0,33
C _r (N)	90800
C _{0r} (N)	454000
Category	Spherical Plain Bearings - Thrust
Inventory	0.0
Manufacturer Name	SCHAEFFLER GROUP
Minimum Buy Quantity	N/A

GE40-SX Bearing 2D drawings and 3D CAD models



L S Starrett BEARING COMPANY

Weight / Kilogram	0.395
EAN	4012802534696
Product Group	B04264
Rolling Element	Spherical Plain
Self Aligning	Yes
Material - Outer Member	Steel
Material - Ball	Steel
Material - Liner	Not Applicable
Enclosure	Open
Relubricatable	Yes
Other Features	Angular Contact Single Direction
Long Description	40MM Bore; 68MM Housing Outside Diameter; 19MM Overall Width; Spherical Plain; Self Aligning; Steel Outer Member; Steel Ball; No Liner; 61MM Ball Outside Diam; 18MM Housing Width; Relubricatable
Inch - Metric	Metric
Category	Plain Bearings Spherical Thrust
UNSPSC	31171515
Harmonized Tariff Code	8483.30.80.70
Noun	Bearing
Keyword 3	Spherical
Keyword String	Plain Thrust Spherical
Manufacturer URL	http://www.ina.com
Manufacturer Item Number	GE40SX
Weight / LBS	0.706
Overall Width	0.748 Inch 19 Millimeter
Housing Width	0.709 Inch 18 Millimeter
Bore	1.575 Inch 40 Millimeter



L S Starrett BEARING COMPANY

Housing Outside Diameter	2.677 Inch 68 Millimeter
Ball Outside Diameter	2.402 Inch 61 Millimeter