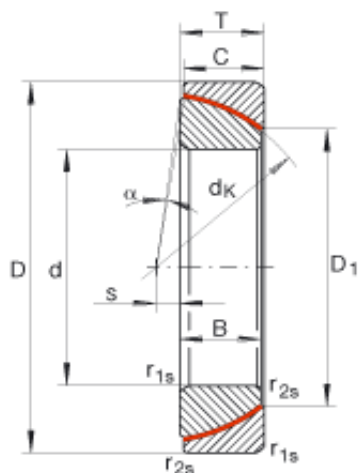




L S Starrett BEARING COMPANY



INA GE50-SW Spherical Plain Bearings

Bearing No. GE50-SW

Size	50x80x19 mm
Bore Diameter	50 mm
Outer Diameter	80 mm
Width	19 mm
T	20 mm
C	19 mm
D ₁	59,1 mm
D _{a min}	65 mm
d _{a max}	57,9 mm
d _{b max}	67 mm
d _K	74 mm
D _{b min}	75 mm
r _{1s min}	0,3 mm
s	4 mm
alf (°)	1,6
Weight (kg)	0,45
C _r (N)	355000
C _{0r} (N)	592000
Category	Spherical Plain Bearings - Thrust
Inventory	0.0
Manufacturer Name	SCHAEFFLER GROUP
Minimum Buy Quantity	N/A
Weight / Kilogram	0.539
EAN	4012802532616

GE50-SW Bearing 2D drawings and 3D CAD models



L S Starrett BEARING COMPANY

Product Group	B04264
Rolling Element	Spherical Plain
Self Aligning	Yes
Material - Outer Member	Steel
Material - Ball	Steel
Material - Liner	Teflon
Enclosure	Open
Relubricatable	No
Other Features	Angular Contact Single Direction
Long Description	50MM Bore; 80MM Housing Outside Diameter; 20MM Overall Width; Spherical Plain; Self Aligning; Steel Outer Member; Steel Ball; Teflon Liner; 75MM Ball Outside Diam; 19MM Housing Width; Not Relubricatab
Inch - Metric	Metric
Category	Plain Bearings Spherical Thrust
UNSPSC	31171515
Harmonized Tariff Code	8483.30.80.70
Noun	Bearing
Keyword 3	Spherical
Keyword String	Plain Thrust Spherical
Manufacturer URL	http://www.ina.com
Manufacturer Item Number	GE50SW
Weight / LBS	1.036
Housing Width	0.748 Inch 19 Millimeter
Ball Outside Diameter	2.953 Inch 75 Millimeter
Housing Outside Diameter	3.15 Inch 80 Millimeter
Overall Width	0.787 Inch 20 Millimeter
Bore	1.969 Inch 50 Millimeter



L S Starrett BEARING COMPANY