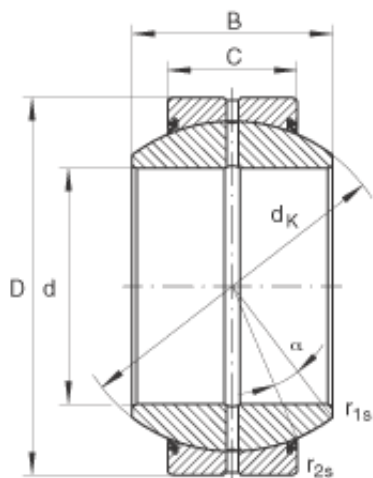




L S Starrett BEARING COMPANY



INA GE20-FO-2RS Spherical Plain Bearings

Bearing No. GE20-FO-2RS

Size	20x42x25 mm
Bore Diameter	20 mm
Outer Diameter	42 mm
Width	25 mm
C	16 mm
$D_{a \min}$	33 mm
$d_{a \max}$	25,2 mm
d_K	35,5 mm
$r_{1s \min}$	0,3 mm
$r_{2s \min}$	0,6 mm
alf (°)	17
Weight (kg)	0,15
C_r (N)	48300
C_{0r} (N)	241000
Category	Spherical Plain Bearings - Radial
Inventory	0.0
Manufacturer Name	SCHAEFFLER GROUP
Minimum Buy Quantity	N/A
Weight / Kilogram	0.178
EAN	4012802530018
Product Group	B04264
Self Aligning	Yes
Rolling Element	Spherical Plain
Material - Outer Member	Steel
Material - Ball	Steel

GE20-FO-2RS Bearing 2D drawings and 3D CAD models



L S Starrett BEARING COMPANY

Material - Liner	Not Applicable
Relubricatable	Yes
Enclosure	2 Seals
Other Features	2 Piece Single Axial Split in Outer Ring Wide Inner Ring with Increased Tilting Angle
Long Description	20MM Bore; 16MM Housing Width; 42MM Outside Diameter; Spherical Plain; Steel Outer Member; Steel Ball; No Liner; 25MM Overall Width; Relubricatable
Inch - Metric	Metric
Category	Plain Bearings Spherical Radial
UNSPSC	31171515
Harmonized Tariff Code	8483.30.80.70
Noun	Bearing
Keyword 3	Spherical
Keyword String	Plain Spherical Radial
Manufacturer URL	http://www.ina.com
Manufacturer Item Number	GE20FO2RS
Weight / LBS	0.331
Overall Width	0.984 Inch 25 Millimeter
Housing Width	0.63 Inch 16 Millimeter
Bore	0.787 Inch 20 Millimeter
Outside Diameter	1.654 Inch 42 Millimeter